



# PFR96 96P

## Features

- Microprocessor based intelligent auto switching control
- Automatic C/K and rated step adjustment
- Automatic CT polarity correction
- Display of power factor & current
- Programmable sensitivity
- Last step can be used as alarm/fan output
- Under/over voltage alarm, under/over compensate alarm
- User-friendly setting
- Complies with IEC 61000-6-2 standard

### For PFR 96

- For single-phase system

### For PFR 96P

- For 3-phase system

## Technical Data

### RATINGS AUXILIARY POWER SUPPLY

Model PFR96	: 110 ~ 120 V AC / 220 ~ 240 V AC
Model PFR96P	: 380 ~ 415 V AC
Operating Limits	: -15% + 10%
Consumption	: 10 VA max
Rated frequency	: 50 Hz or 60 Hz

### OUTPUT CONTACTS

Numbers of outputs	: 6
Rated voltage	: 250 V AC
Contact rating	: 5 A
Expected electrical life	: 100,000 operations at rated current
Expected mechanical life	: 5 x 10 <sup>6</sup> operations
Max current for the common terminals	: 12 A continuous

### CURRENT INPUT

Rated current (I <sub>n</sub> )	: 5 A
Operating Limits	: 0.15 A to 6.5 A
Rated frequency	: 50 Hz or 60 Hz

### CONTROL RANGE

Power factor setting	: 0.8 Ind - 0.8 Cap
C/K setting	: 0.03 - 1.20 / Automatic
Switching sensitivity	: 5 - 600 s/step
Reconnection time for same step	: 5 - 240 s
Switching Program	: Automatic / Automatic Rotate / 4-quadrant / Manual
Rated step coefficient	: 0 / 1 / 2 / 3 / 4 / 5 / 6 / 8 / 12 / 16 (Automatic if C/K set to Auto)

Temperature	: -5°C to +55°C
Humidity	: 56 days at 93% RH and 40°C non-condensing

### MECHANICAL

Mounting	: Panel mounting
Dimension (mm)	: 96(w) x 96(h) x 70(d)
Approximate weight	: 0.6 kg

### ENVIRONMENTAL CONDITIONS

## Typical Application Diagram

Diagram 1 - For model PFR96

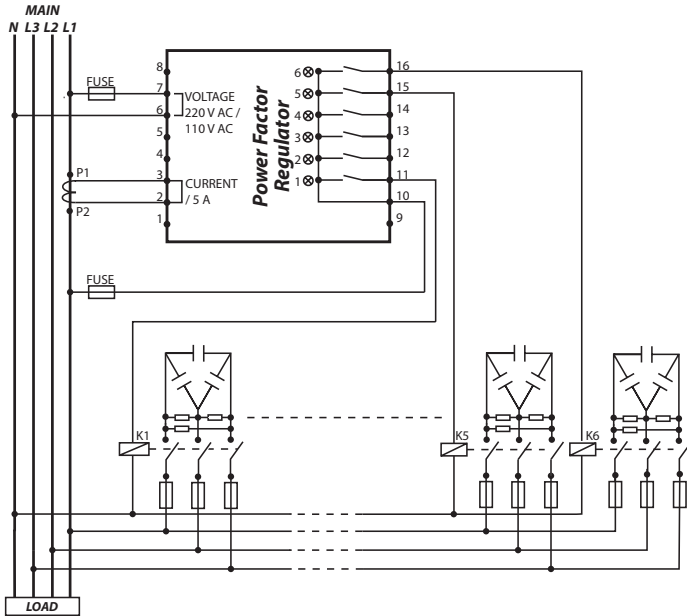
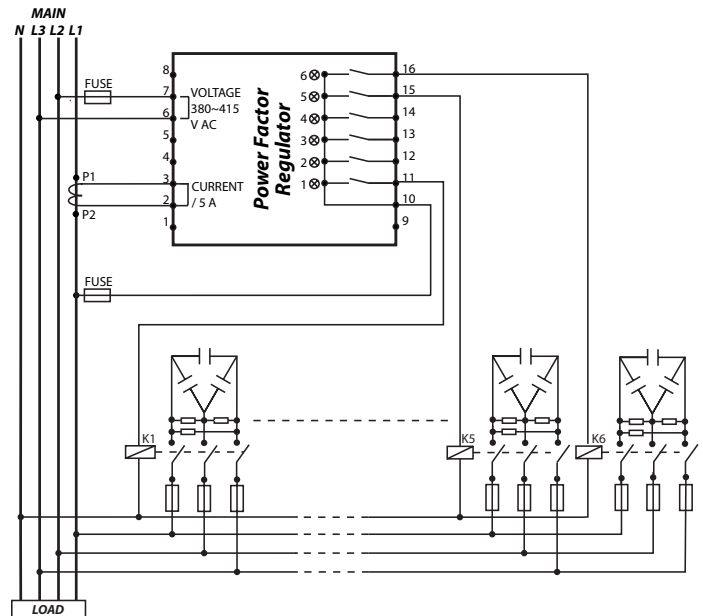


Diagram 2 - For model PFR96P



## Ordering Information

MODEL	DESCRIPTION
PFR96 - 220 - 50	6 Steps, for 50 Hz system, auxiliary voltage 220~240 V AC
PFR96 - 220 - 60	6 Steps, for 60 Hz system, auxiliary voltage 220~240 V AC
PFR96 - 110 - 50	6 Steps, for 50 Hz system, auxiliary voltage 110~120 V AC
PFR96 - 110 - 60	6 Steps, for 60 Hz system, auxiliary voltage 110~120 V AC
PFR96P - 415 - 50	6 Steps, for 50 Hz system, auxiliary voltage 380~415 V AC
PFR96P - 415 - 60	6 Steps, for 60 Hz system, auxiliary voltage 380~415 V AC

## Case Dimensions

